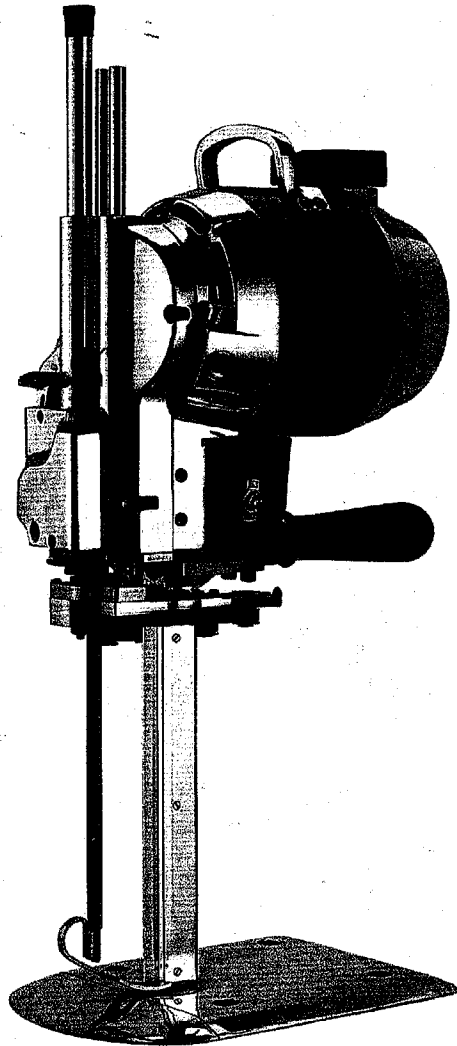
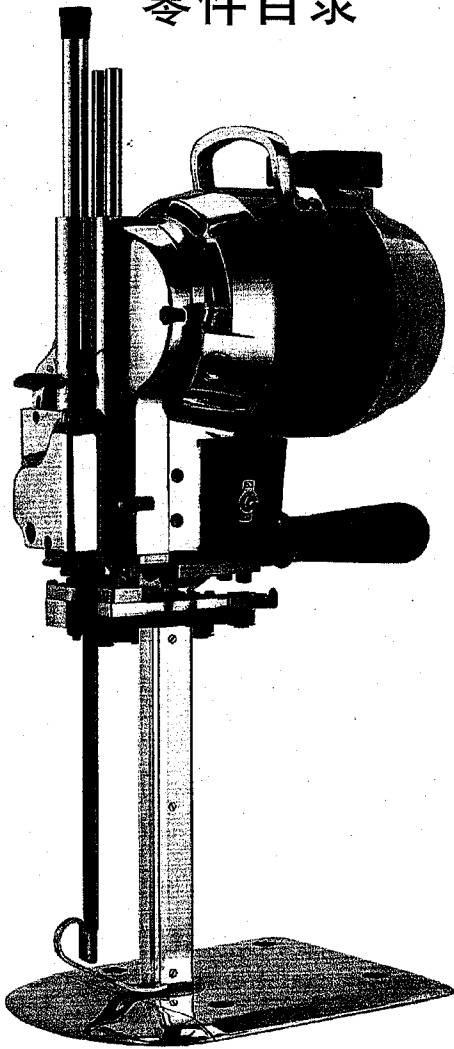


Auto-Sharpening  
Cutting Machine

自动磨刀裁剪机

Instruction Manual  
And parts list

使用手册  
零件目录



## 使用、和加油 和维护

### 使用前请仔细阅读

#### 使用前

应向油杯内加油；将电机后的旋钮推入转几转，刀片应能上下灵活移动。

#### 注意

当心刀片快口伤人。操作时请使用木手柄推动机器，搬动机器时，请使用提手柄

#### 维护

(1) 每星期两次用风管或风箱把马达和磨刀器上的绒毛吹掉。(2) 每星期一次取下前盖将丝杆上的绒毛弄干净。(3) 每天至少一次取下刀片，用槽子清洗器刀槽清理干净。(4) 请勿向底板滚轮加油。(5) 若轮子滚不动，请拆下清洗。

#### 注意

未装刀片时切勿磨刀，以免造成机器损坏。

#### 磨刀时

请放下压脚，用力慢慢地按下磨刀手柄。如果轧死，请抬起拨叉，从新再来几次后，你便会知道怎样的轻重最适合。

## Operation, Lubrication and care

Before operating machine, read this page carefully.

Before operating the motor, be sure that electric supply voltage and current are the same as stamped on the nameplate. Fill oil cup. Push in turning knob and turn the machine over a few revolutions by hand to see if the knife moves easily.

### WARNING

This machine is equipped with a sharp knife. Keep hands away from the knife area at all times. Use control levers and handles only when operating or handling machine.

### CARE OF MACHINE

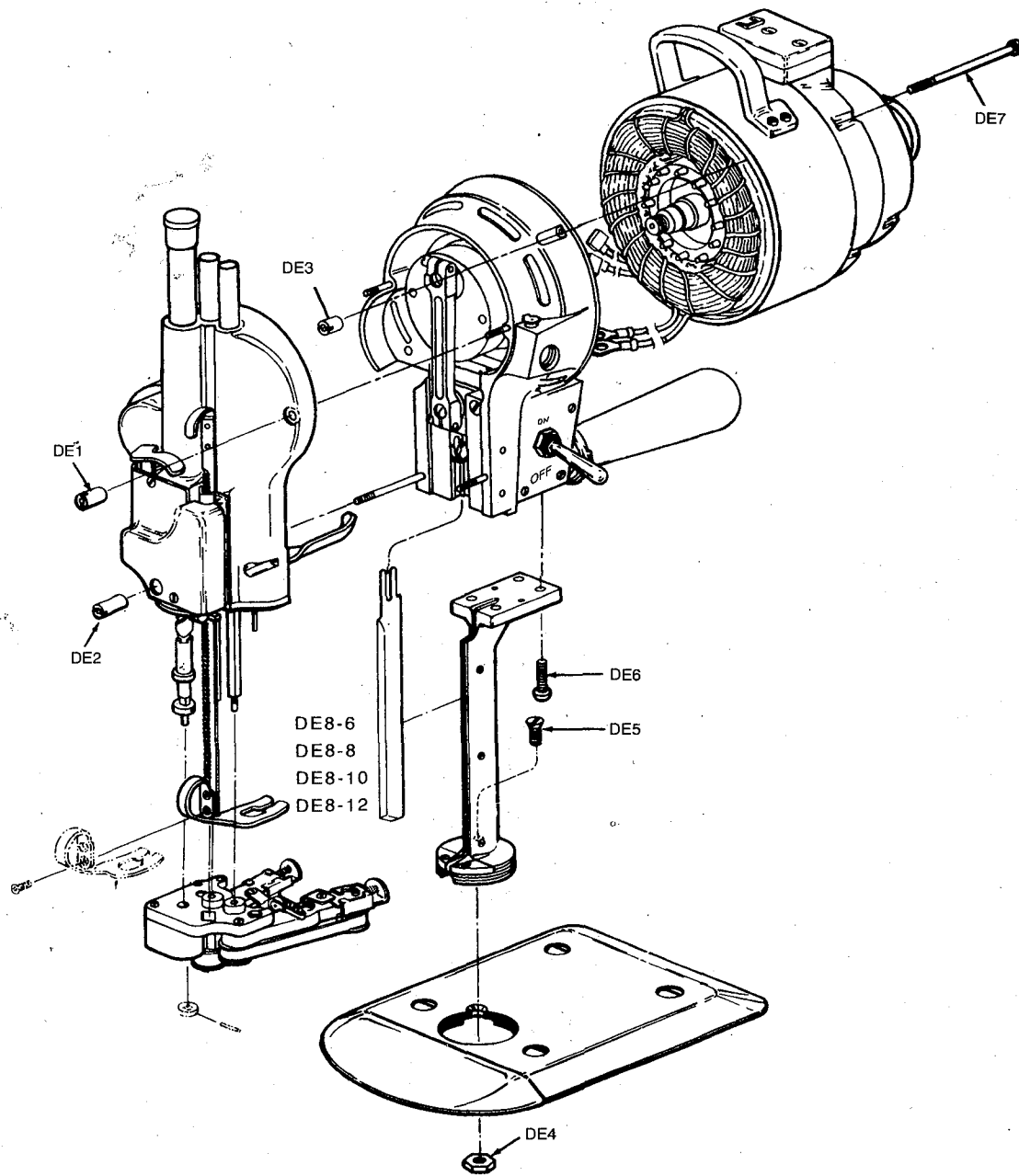
Use air hose or bellows with proper eye shields and blow lint out of motor and sharpener twice a week. Remove cover over cam and clean out lint around screw mechanism in sharpener once a week. Remove knife and clean slides with slot cleaner at least once a day. To prevent undue accumulation of lint, do not oil plate rollers. If rollers stick, remove from plate and wash in cleaning solvent.

### WARNING

Do not operate sharpener without knife in machine or the sharpener will be damaged.

### TO SHARPEN THE KNIFE

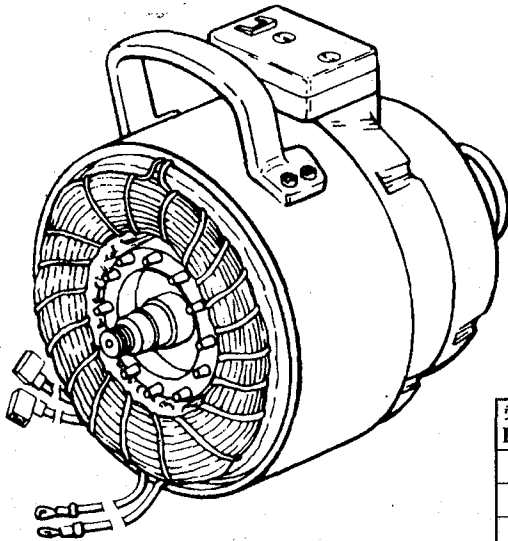
Take the machine out of the lay. Drop pressure foot by means of pressure foot lever located next to machine operating handle. Press release lever downward with a slow, firm pressure to engage sharpening mechanism. Too fast lever action may cause lever to lock. If this occurs, lift latch lever and start over. After a few tries you will feel correct operating pressure.



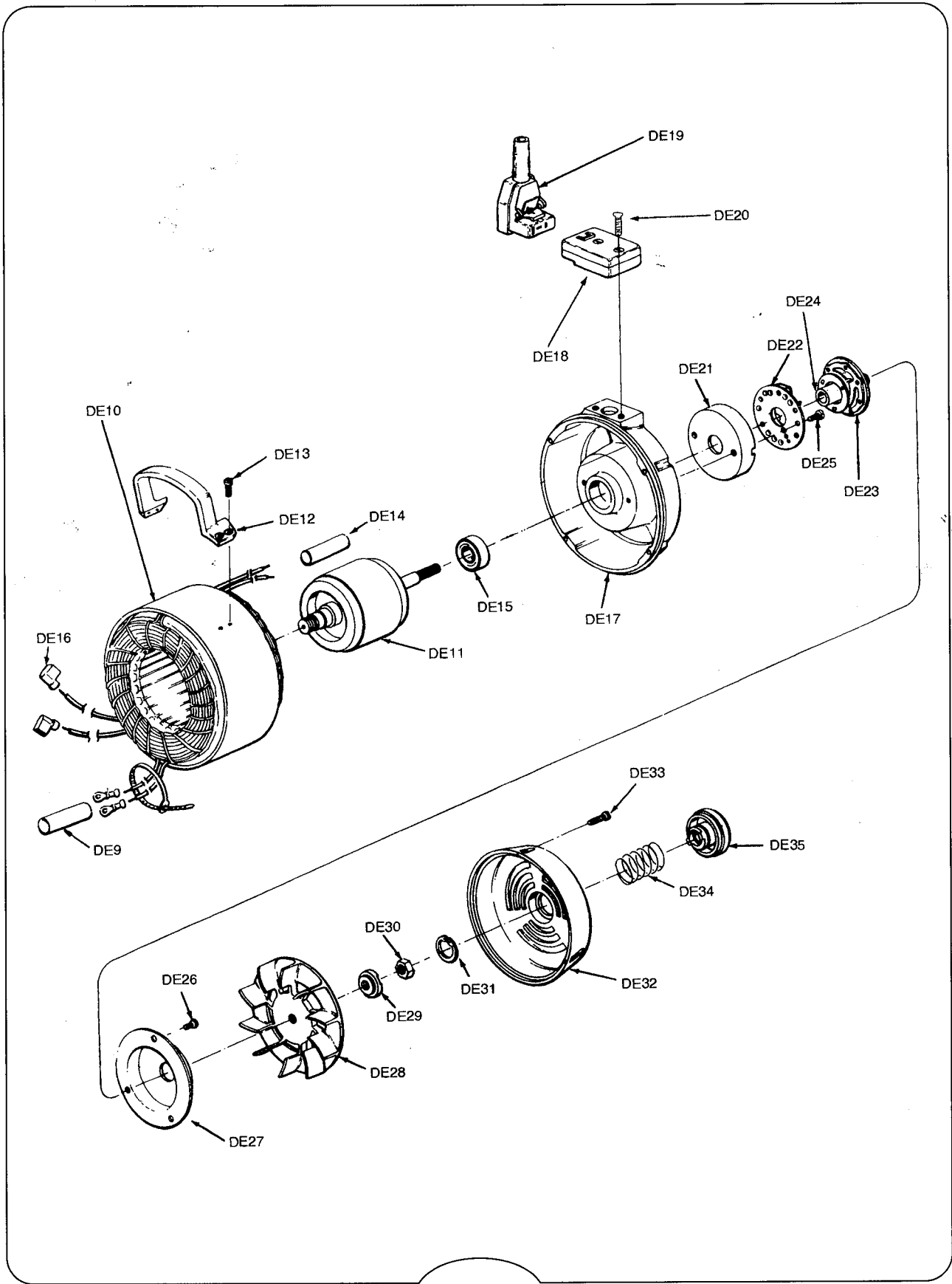
零件号 Part NO.	名称	Description	数量 No. Req'd
DE1	专用短螺母	Sharpener Hold-Down Nut	3
DE2	专用长螺母	Sharpener Hold-Down Nut	1
DE3	专用螺母	Front-to-Rear Bearing Nut	4
DE4	螺母	Plate Bolt Nut	1
DE5	立柱固定螺钉	Standard-to-Bearing Screw	1
DE6	立柱螺钉	Front-to-Rearing-Bearing Screw	4
DE7	螺钉	Screw	4
DE8	刀片	Knife	1

# 单相马达组

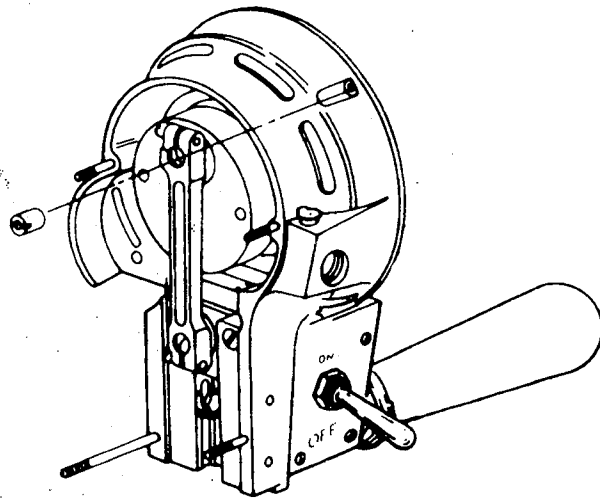
Single-phase Motor Assemblies



零件号 Part No.	名称	Description	数量 No. Req'd
DE9	绝缘器	Terminal Wire Tubing	1
DE10	电机定子组件	Stator with Band	1
DE11	电机转子组件	Rotor and shaft	1
DE12	提手柄	Carrying Handle	1
DE13	提手柄螺钉	Screw	4
DE14	引线管	Theminal wire Tubing	1
DE15	单列向心球轴承	Rear Ball Bearing	2
DE16	线耳	Terminal	2
DE17	后机匣	Rear Bearing House	1
DE18	插头组件	Terminal Block	1
DE19	电源插头组件	Attachment Plug	1
DE20	插头组件螺钉	Screw	2
DE21	离心开关罩	Cutout switch Mount	1
DE22	离心开关切断器	Automatic Cautout	1
DE23	离心开关组件	Automatic Cutout Switch	1
DE24	离心开关轴套	Shaft Cover For Cutout	1
DE25	离心开关罩螺钉	Screw	2
DE26	离心开关盖螺钉	Screw	2
DE27	离心开关盖	Cover for Cutout	1
DE28	风轮	Rotor Fan	1
DE29	止动垫圈	Leading sping Washer	1
DE30	电机转子圈	Clutch Nut	1
DE31	轴用弹性挡圈	Retaining Ring	1
DE32	风轮盖	Fan Cover	1
DE33	风轮盖螺钉	Screw	2
DE34	弹簧	Clutch Sping	1
DE35	旋钮	Turning Knob	1

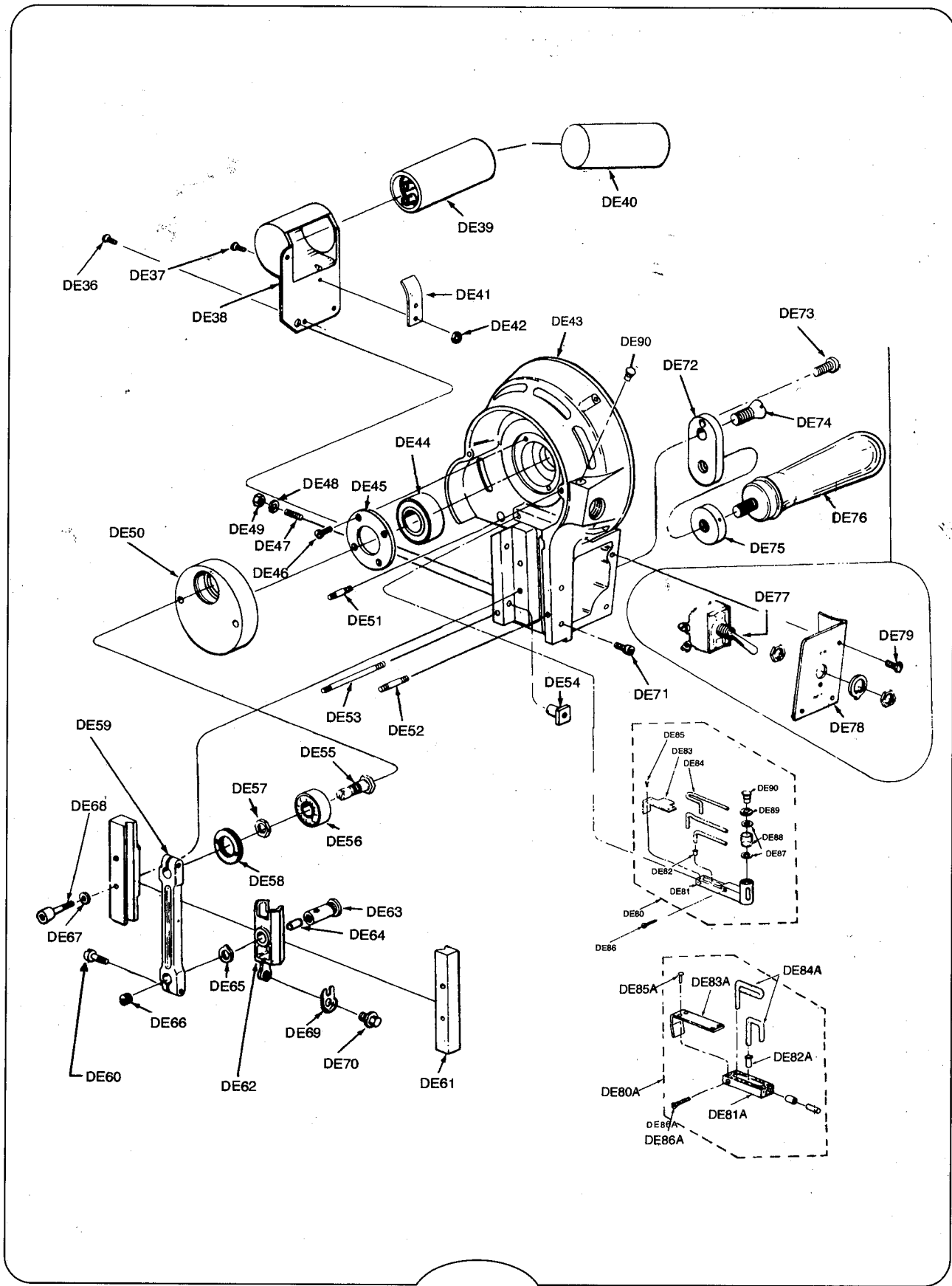


## 前轴承套组 Front Bearing Housing Assembly



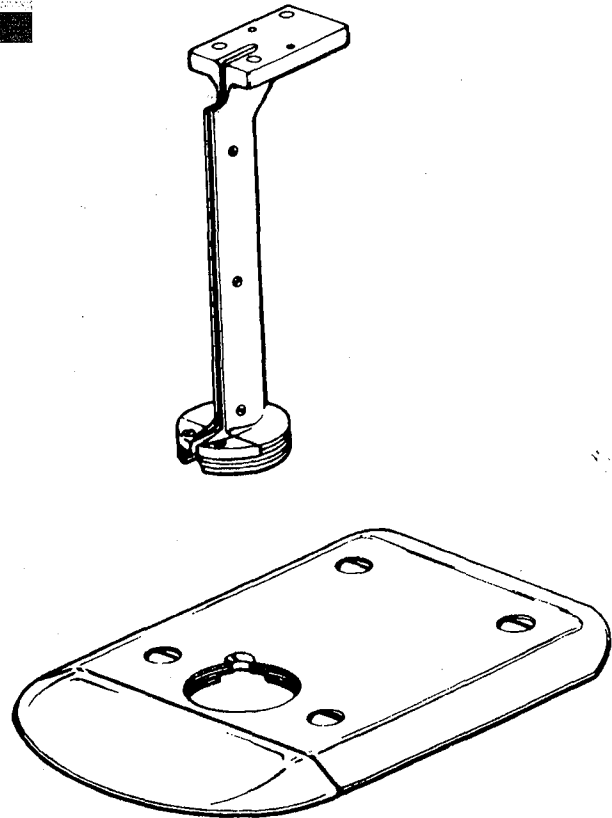
零件号 Part No.	名称	Description	数量 No. Req'd
DE36	电容器罩螺钉	Screw	6
DE37	电容压板螺钉	Screw	1
DE38	电容器罩	Capacitor Cover	1
DE39	启动电容	Capacitor	1
DE40	电容器外套	Cover for Capacitor	1
DE41	电容压板	Spring for Capacitor	1
DE42	六角螺母	Shaft Lock Nut	1

零件号 Part No.	名称	Description	数量 No. Req'd
DE43	前机匣	Front Bearing Housing	1
DE44	单列向心球轴承	Bearing	1
DE45	前机匣轴承挡圈	Front Ball Bearing Retainer	1
DE46	轴承挡圈螺钉	Screw	4
DE47	内六角平端紧定螺钉	Screw	3
DE48	垫圈	Washer	9
DE49	螺母	Nut	3
DE50	偏心轮	Crank	1
DE51	双头螺栓	Stud, upper	2
DE52	双头螺栓	Stud, Lower Mounting	1
DE53	双头螺栓	Stud, Lower Mounting	1
DE54	支撑螺套	Guide Adjustment Nut	3
DE55	传动销	Shaft for Ball Bearing	1
DE56	单列向心球轴承	Seated Crank Ball Bearing	1
DE57	传动销螺母	Lock Nut for Shaft	1
DE58	轴承挡圈	Crank Ball Bearing Lock Nut	1
DE59	连杆	Connecting Rod	1
DE60	连杆螺钉	Screw	2
DE61	导轨	H. Guide	1
DE62	中心滑块	Cross Head	1
DE63	从动销	Wrist Pin	1
DE64	油绳	Wrist Pin Felt Pad	1
DE65	垫片	Connecting Rod Washer	1
DE66	半端紧定螺钉	Screw	1
DE67	垫片	Guide Washer	1
DE68	圆柱头内六角螺钉	Screw	6
DE69	固定刀垫片	Knife Lock Washer	1
DE70	方头螺钉	Screw	1
DE71	圆柱头内六角螺钉	Screw	2
DE72	力板	Handle Bracket	1
DE73	内六角螺钉	Screw	1
DE74	力板螺钉	Screw for Handle Bracket	1
DE75	木手柄锁紧螺母	Operating Handle Lock Nut	1
DE76	木手柄	Operating Handle	1
DE77	电机开关	Switch	1
DE78	开关盖	Switch Base	1
DE79	开关盖螺钉	Screw	3
DE80	油杯组件	Oiling device	1
DE81	油杯座	Oil Tube	1
DE82	空心铆钉	Eyelet	1
DE83	油杯座盖板	Cover for Oil Tube	1
DE84	油绳	Long Wickling	3
DE85	油杯座盖板螺钉	Screw	4
DE86	油杯座螺钉	Screw	2
DE87	密封圈	Circle	2
DE88	油窗	Windows for oil	1
DE89	油杯座盖	Oil tube cover	1
DE90	油杯	Oil Hole Cover	1



# 刀夹底盘组

## Standard and Baseplate Assembly



零件号 Part No.	名称	Description	数量 No. Req'd
DE91	立柱	Standard	1
DE92	刀壳组件	Knife Slide	1
DE93	脚板	Throat Plates	2
DE94	脚板定位销	Taper pin	2
DE95	脚板螺钉	Screw	2
DE96	刀壳螺钉	Screw	3
DE97	导板	Plate Wing	1
DE98	底座	Plate	1
DE99	滚轮组件	Rubber Roller all set	4
DE100	滚轮衬套组件	Roller Shell	4
DE101	橡胶安装座组件	Rubber Mounted Roller	4
DE102	底板压轴螺钉	Clamp Screw for Roller	12
DE103	导板连接轴	Hinge Pin	2
DE104	导板弹簧	Plate Wing Spring	2
DE105	止动垫片	Lock Wsher.#8	2