

**BOSCH
POWER TOOLS**

Parts List

□ 115 V

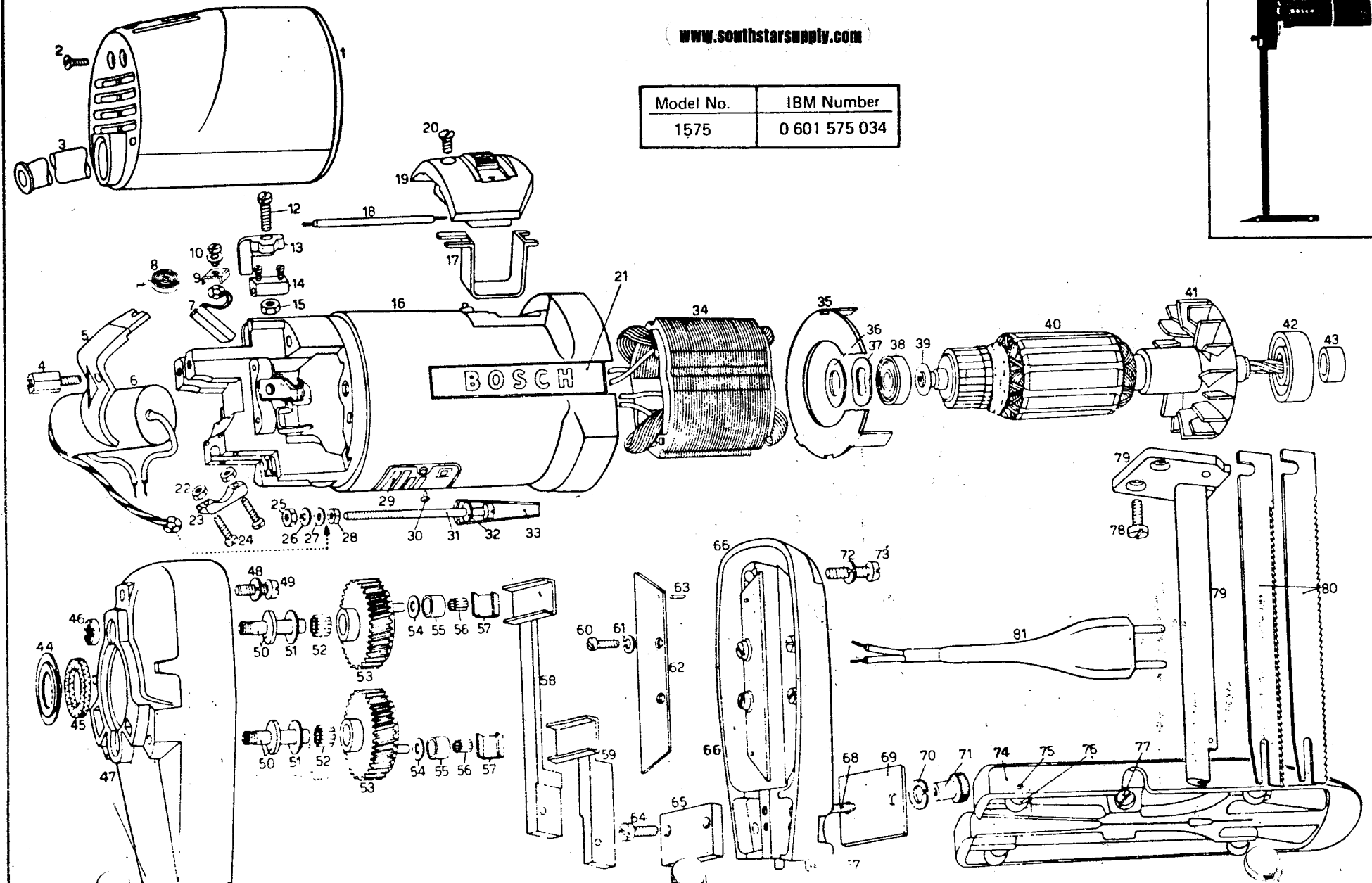
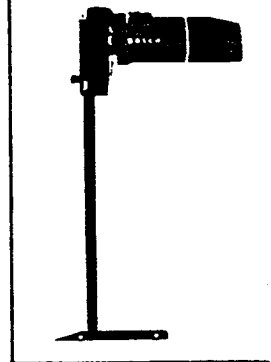
FOAM RUBBER CUTTER

1575

ISSUED: MARCH 1974

www.southstarsupply.com

Model No.	IBM Number
1575	0 601 575 034



POS. NO.	PART NO.	PCS/UNIT	DESCRIPTION	POS. NO.	PART NO.	PCS/UNIT	DESCRIPTION
1	2 600 508 026	1	Cover	49	2 910 011 122	3	Screw
2	2 910 501 084	2	Screw	50	2 603 520 010	2	Axle
3	2 600 703 005	1	Sleeve	51a	2 600 100 610	x	0.1 mm shim
4	2 603 527 004	2	Screw	51b	2 600 100 611	x	0.2 mm shim
5	2 601 301 002	1	Clamp	51c	2 600 100 613	x	0.5 mm shim
6	2 607 329 048	1	Condenser	52	2 603 201 041	26	Needle
7	2 604 320 013	2	Carbon brush	53	2 606 319 007	2	Gear wheel
8	2 604 652 000	2	Brush spring	54a	2 600 100 585	x	0.1 mm shim
9	2 601 321 005	2	Clip	54b	2 600 100 586	x	0.2 mm shim
10	2 603 410 010	2	Screw	54c	2 600 100 587	x	0.3 mm shim
12	2 910 011 028	2	Screw	54d	2 600 100 588	x	0.5 mm shim
13	2 602 305 034	2	Clamp	55	2 600 300 005	2	Roller
14	2 604 490 003	4	Terminal	56	2 603 201 037	22	Needle
15	2 915 011 002	2	Nut	57	2 601 320 018	2	Clamp
16	2 605 108 032	1	Motor housing w/ carbon holder	58	2 602 305 016	1	Plunger
17	2 601 322 002	1	Insulation	59	2 602 305 014	1	Plunger
18	2 604 411 026	4	Cable	60	2 910 011 082	4	Screw
19	2 607 200 045	1	Switch	61	2 916 690 002	4	Lock washer
20	2 910 501 048	1	Screw	62a*	2 601 038 000	2	2 mm guide rail (old)
21	2 601 007 003	2	BOSCH shield	62b	2 601 038 001	2	1 mm guide rail (new)
22	2 915 011 002	2	Nut	63a*	1 903 201 020	4	2.5 mm needle (old)
23	2 601 035 005	1	Clip	63b	1 903 201 040	4	3 mm needle (new)
24	2 910 011 033	2	Screw	64	2 910 011 084	2	Screw
25	2 915 051 103	1	Nut	65	2 602 307 001	1	Plate
26	2 916 690 001	1	Lock washer	66	2 605 500 007	1	Gear cover w/60-65, 67, 68
27	2 916 011 005	1	Washer	67	2 917 500 093	2	Pin
28	2 915 011 003	2	Nut	68	2 603 502 015	2	Screw
29	2 601 100 038	1	Nameplate	69	2 601 034 010	1	Cover plate
30	2 917 724 031	2	Rivet	70	2 916 690 002	2	Lock washer
31	2 910 011 074	2	Screw	71	2 603 345 000	2	Knurled nut
32	2 916 011 005	2	Washer	72	2 916 690 003	4	Lock washer
33	2 601 099 015	2	Cable hanger	73	2 910 011 128	4	Screw
34	2 604 220 220	1	Field	74	2 608 000 010	1	Footplate consists of 75-77
35	2 600 113 019	1	Cover disc	75	1 903 201 023	4	Needle
36	2 600 100 699	x	Shim	76	2 600 300 011	4	Roller
37	2 600 150 002	1	Spring washer	77	2 910 011 132	1	Screw
38	1 900 905 003	1	Ball bearing	78	2 910 011 118	2	Screw
39	2 600 100 612	1	Washer	79a	2 608 135 023	1	3" - blade guide
40	2 604 010 284	1	Armature with fan	79b	2 608 135 020	1	5" - blade guide
41	2 606 610 036	1	Fan	79c	2 608 135 021	1	8" - blade guide
42	1 900 900 241	1	Ball bearing	79d	2 608 135 022	1	12" - blade guide
43	2 600 300 047	1	Sleeve	A	80a	1	3" - saw blades (2)
44	2 600 500 017	1	Cover disc	A	80b	1	5" - saw blades (2)
45	2 600 108 026	1	Felt washer	A	80c	1	8" - saw blades (2)
46	2 603 341 007	2	Nut	A	80d	1	12" - saw blades (2)
47	2 605 806 082	1	Gear case	A+	T 2005	1	Flexible cord w/plug
48	2 916 690 003	3	Lock washer	A+	2 601 030 010	1	Scraper
					2 607 959 000	1	Screwdriver

* Old and new guide rails and needles are not interchangeable.