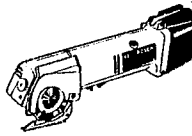




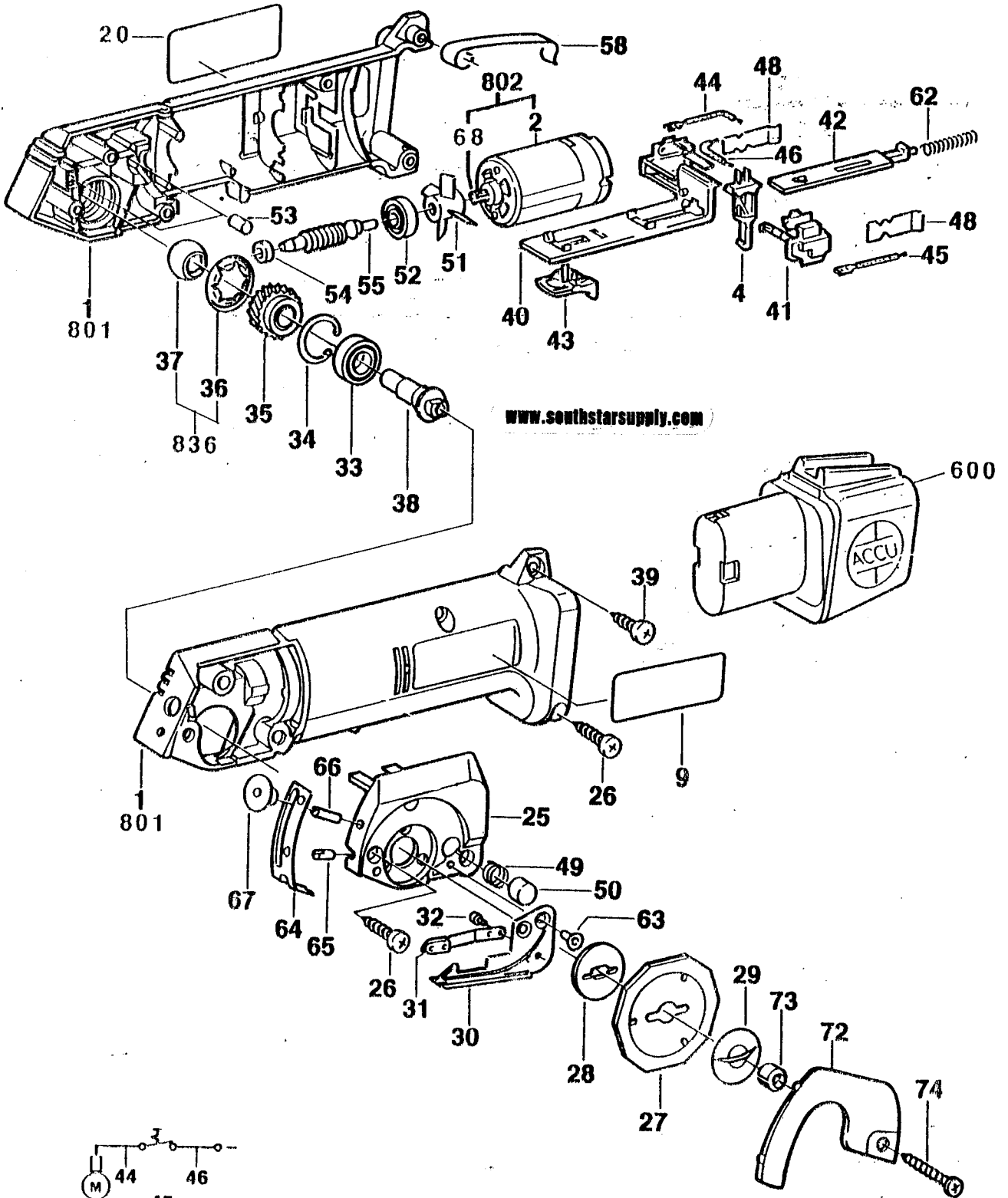
# BOSCH

## CORDLESS ROTARY SHEARS 1925

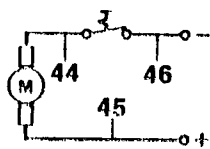


DOUBLE INSULATED 115V

SERVICE PARTS LIST - APRIL 1992



[www.southstarsupply.com](http://www.southstarsupply.com)



MARKETING NUMBER	MODEL NUMBER
1925	060 1925 039
1925B	060 1925 065
1925A	060 1925 139
1925AB	060 1925 165

CORDLESS ROTARY SHEARS 1925

Pos.	Qty	Part number	Description	F/C	Pos.	Qty	Part number	Description	F/C
1	1	See pos. 801	housing	-	58	1	2 601 251 002	battery clip 7.2V (.039; .065)	9
2	1	See pos. 802	motor	-					
4	1	2 607 200 196	switch	15	58.1	1	2 601 251 003	battery clip 9.6V (.139; .165)	9
9	1	2 601 118 079	label "1925"	9					
20	1	2 601 118 068	name plate (.039; .065)	9	62	1	1 604 611 026	spring	27
20.1	1	2 601 118 294	name plate (.139; .165)	9	63	2	2 910 541 118	screw	89
25	1	2 605 806 394	bearing housing	73	64	1	2 605 510 057	blade cover	92
26	5	2 910 611 021	screw	89	65	1	2 912 031 120	set screw	89
A 27	1	2 608 635 126	rotary blade	94	66	1	2 912 031 128	set screw	89
28	1	2 606 440 000	inner flange	85	67	1	2 915 111 004	knurled nut	89
29	1	2 603 490 000	outer flange	85	68	1	2 606 316 112	gear	33
30	1	2 608 042 013	blade holder	88	72	1	2 605 510 058	blade guard	92
A 31	1	2 608 635 125	stationary blade	94	73	1	2 600 320 001	bushing	82
32	2	2 603 430 002	screw	89	74	1	2 910 611 096	screw	89
33	1	1 900 905 021	ball bearing	51	A 600	1	2 607 300 001	battery 7.2V (old)	18
34	1	2 916 660 008	retaining ring	89	A 600.1	1	3 607 300 502	battery 7.2V (new)	18
35	1	2 606 329 001	gear	32	A 600.2	1	2 607 300 002	battery 9.6V (old)	18
36	1	See pos. 836	spring washer	-	A 600.3	1	3 607 300 500	battery 9.6V (new)	18
37	1	See pos. 836	bushing	-	+A 660	1	2 607 224 002	charger (old)	18
38	1	2 603 124 043	spindle	52	+A 660.1	1	3 607 224 500	charger (new)	18
39	1	2 910 611 019	screw	89				will charge batteries:	
40	1	2 608 018 003	contact plate	15				3 607 300 502	
41	1	2 608 018 001	contact plate	15				3 607 300 500	
42	1	2 601 099 028	switch slide	15	+A 660.2	1	3 607 224 503	multi bay charger	18
43	1	1 602 026 057	switch button "lock on"	63				will charge batteries:	
43.1	1	1 602 026 060	switch button "dead man"	63				3 607 300 502	
44	1	2 604 412 019	cable	10				3 607 300 500	
45	1	2 604 412 020	cable	10	+A 750	1	2 607 000 087	strip cutter	-
46	1	2 604 412 021	cable	10	+A 751	1	2 607 000 088	edge cutter	-
48	2	2 601 324 012	contact clip	10	801	1	2 605 104 227	housing assembly	71
49	1	2 604 616 003	spring	27	802	1	2 607 022 903	motor assembly 7.2V w/pos. 2,68 (.039; .065)	19
50	1	2 603 212 001	felt	77					
51	1	2 606 610 052	fan	23	802.1	1	2 607 022 902	motor assembly 9.6V w/pos. 2,68 (.139; .165)	19
52	1	1 900 905 019	ball bearing	56					
53	2	1 603 100 036	rubber buffer	9	836	1	2 607 001 084	bushing assembly w/pos. 36,37	82
54	1	1 900 301 403	bushing	82					
55	1	2 606 338 001	drive shaft	54					

SERVICE NOTES:

- = a. The batteries and charger noted, are discontinued and no longer available.
- b. If you have a discontinued battery and need a replacement charger, you must order one of the battery/charger kits listed depending on the voltage of your tool . . .  
 7.2V kit = 3 607 300 507  
 9.6V kit = 3 607 300 506
- c. If you have the discontinued charger and need a replacement battery, a kit is not needed, as all batteries will work in the discontinued charger.

www.southstarsupply.com