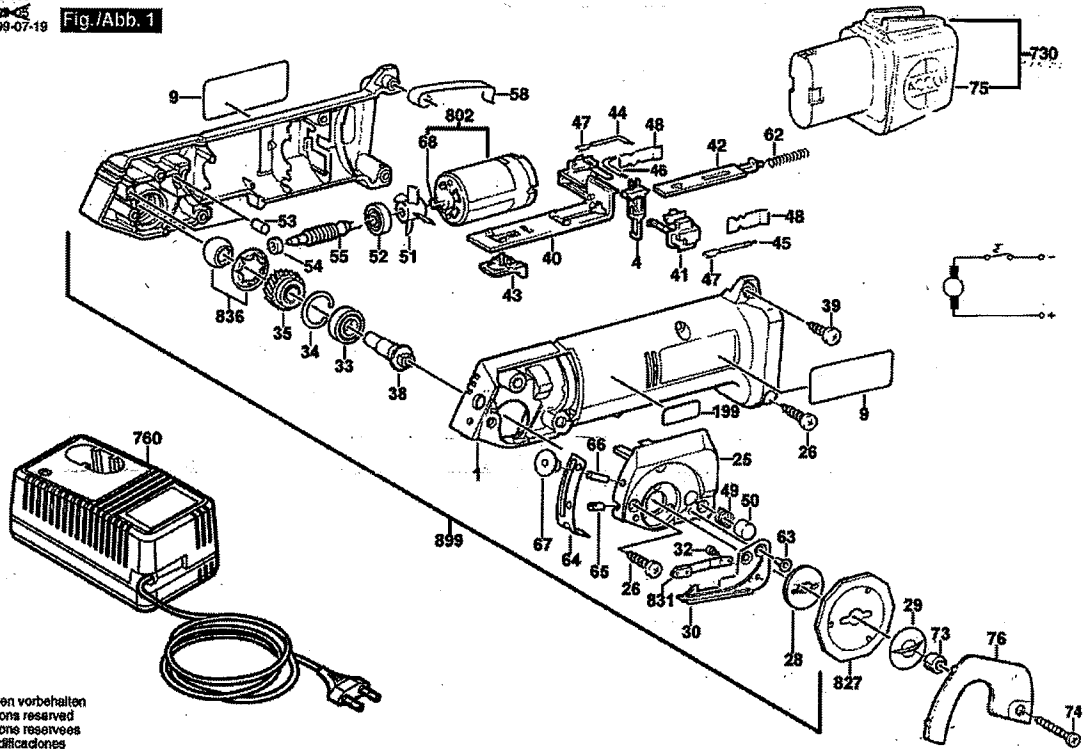


0 601 925 103
 Stand | 39-42
 Issue | 39-07-19 **Fig./Abb. 1**



Änderungen vorbehalten
 Modifications reserved
 Modifications reserves
 Salvo modificaciones
 Robert Bosch GmbH
 Geschäftsbereich Elektrowerkzeuge
 70745 Leinfelden-Echterdingen

Item	Quantity	Order No.	Designation	Price group	Page
1	1	2 605 104 227	HOUSING SECTION \ BLUE		1
4	1	2 607 200 196	ON-OFF SWITCH		1
9	1	2 601 116 150	MANUFACTURER'S NAMEPLATE		1
25	1	2 605 806 394	BEARING HOUSING		1
26	4	2 914 201 707	TORX OVAL-HEAD SCREW \ 4x20MM		1
28	1	2 606 440 000	DRIVER DISC		1
29	1	2 603 490 000	SLOTTED PAN-HEAD SCREW		1
30	1	2 608 042 013	BLADE HOLDER		1
32	2	2 603 430 002	ROUND-HEAD SCREW		1
33	1	1 900 905 021	DEEP-GROOVE BALL BEARING \ 609-2 Z/C3 DIN 625		1
34	1	2 916 660 008	C-CLIP \ DIN 472-24x1,2 MM		1
35	1	2 606 329 001	CYLINDRICAL GEAR \ Z=33		1
38	1	2 603 124 043	PRIMARY SHAFT		1
39	1	2 914 201 705	TORX OVAL-HEAD SCREW \ DIN 4756-4x16-T20		1
40	1	2 608 018 003	CONTACT MOUNT		1
41	1	2 608 018 001	CONTACT MOUNT		1
42	1	2 601 099 028	ADJUSTING SLIDE \ BLUE		1
43	1	1 602 026 060	SWITCH HANDLE \ GRAY		1
44	1	2 604 412 019	CONNECTING CABLE		1
45	1	2 604 412 020	CABLE		1
46	1	2 604 412 021	CONNECTING CABLE \ L = 52 MM \ WHITE		1
48	2	2 601 324 012	CONTACT SPRING		1
49	1	2 604 616 003	COMPRESSION SPRING		1
50	1	2 603 212 001	LUBRICATING FELT.		1
51	1	2 606 610 052	FAN		1
52	1	1 900 905 019	DEEP-GROOVE BALL BEARING \ DIN 625-626-ZZ		1
53	2	1 603 100 036	RUBBER BUFFER		1
54	1	1 900 301 403	SINTERED-METAL BUSHING \ 4x8x4 MM		1
55	1	2 606 338 001	DRIVE SHAFT		1
58	1	2 601 251 003	HOLDING SPRING \ Ø 8,7 MM		1
62	1	1 604 611 026	COMPRESSION SPRING		1
63	2	2 910 541 118	COUNTERSUNK-HEAD SCREW \ DIN 7991-M4x8-8.8		1
64	1	2 605 510 057	PROTECTING COVER		1
65	1	2 912 031 120	ADJUSTING SCREW \ DIN 551-M4x10-5.8		1
66	1	2 912 031 128	ADJUSTING SCREW \ DIN 551-M4x18-5.8		1
67	1	2 915 111 004	KNURLED NUT \ DIN 466-M4x5MM		1
68	1	2 606 316 112	PINION \ Z=11		1
73	1	2 600 320 001	SPACER BUSHING		1
74	1	2 914 201 710	TORX OVAL-HEAD SCREW \ 4x30MM		1
76	1	2 605 510 058	GUARD PLATE		1
199	1	2 601 116 151	REFERENCE PLATE		1
730	1	2 607 335 176	SLIDE-IN ACCU PACKAGE \ 9,6V,1,7Ah,NiCd		1
755	1	2 607 000 087	STRIP CUTTER		0
756	1	2 607 000 088	EDGE CUTTER		0
760	1	2 607 224 445	FAST CHARGER \ USA 120/7,2-14,4V, 1h		1
760	1	2 607 224 708	FAST CHARGER \ USA 120/7,2-14,4V, 30 MIN.		1
802	1	2 607 022 924	DC MOTOR \ 9,6V		1
827	1	2 608 635 126	UPPER BLADE		1
831	1	2 608 635 125	LOWER BLADE		1
836	1	2 607 001 084	PARTS SET		1