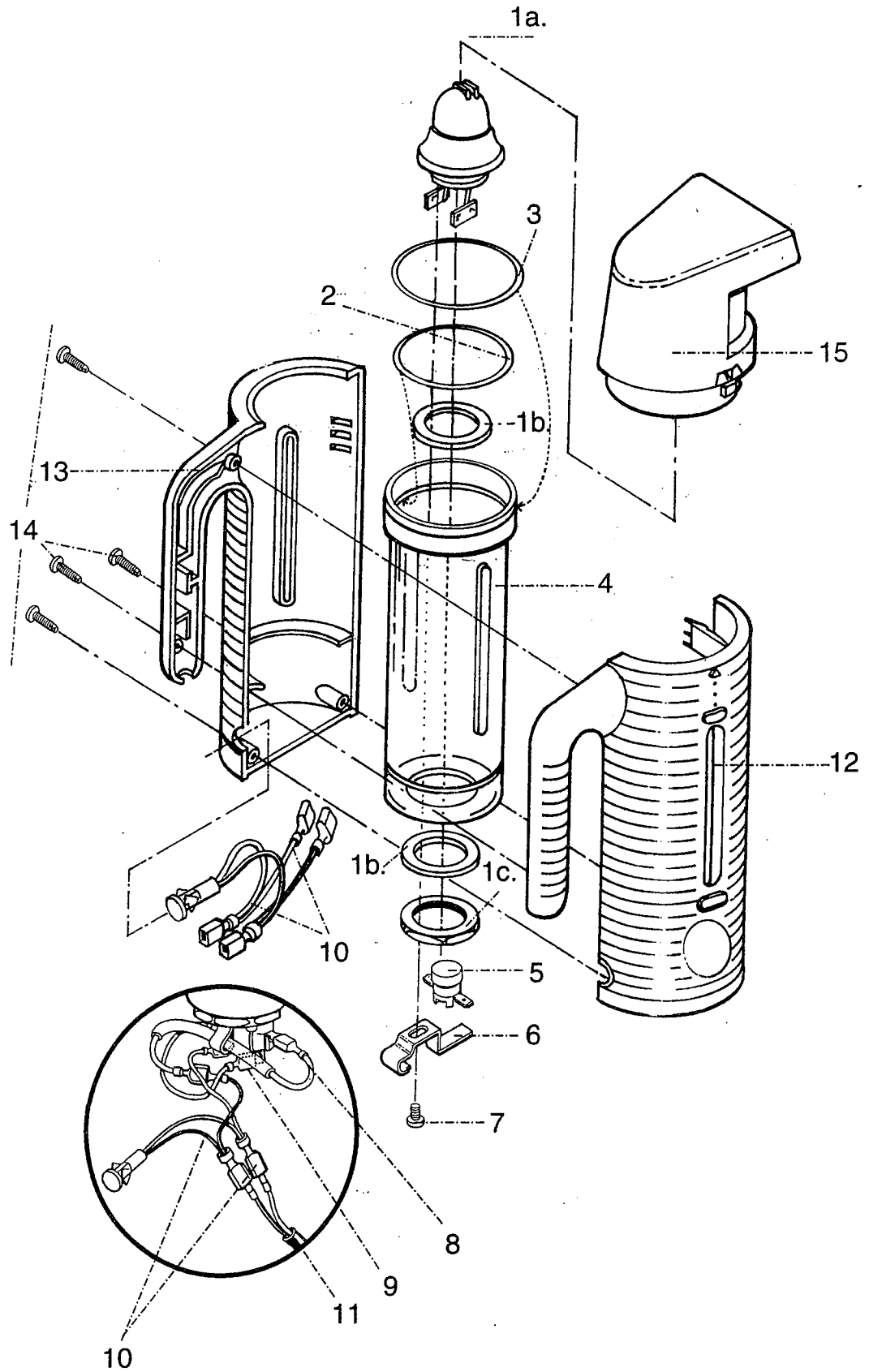


Esteam® Parts Diagram



Esteam® Parts Diagram Key

Should you ever need replacement parts for your Jiffy® Steamer, you may purchase them separately. Use this handy diagram and parts list to identify any part you may need. Please include model and serial number when ordering.

Key#	Jiffy Steamer Part #	Part Description
1	0653	Esteam 120 Volt 600 Watt Heater with Gaskets and Nut
	0655	Esteam 230 Volt 625 Watt Heater with Gaskets and Nut
1a.		Esteam Heater (Sold with Item #0653 or #0655 as a Kit)
1b.		Gasket for Esteam Heater (Sold with Item #0653 or #0655 as a Kit)
1c.		Nut for Esteam Heater (Sold with Item #0653 or #0655 as a Kit)
2	0661	Red Inside O-Ring
3	0662	Black Outside O-Ring
4	0669	Esteam Water Tank
5	0640	Esteam 36 T-L263 Thermostat
6	0643	Fusible Link Clamp
7	0644	Fusible Link Clamp Screw
8	0641	Fusible Link Wire with Insulated Lug (Orange)
9	0681	Red Wire with Insulated Lugs
10	0645	Pilot Light with Wiring Harness for 120 Volt Electrical Systems
	0646	Pilot Light with Wiring Harness for 230 Volt Electrical Systems
11	0647	Cord set (18/2 gauge)
12	0665	Right Case Half
13	0666	Left Case Half
14	0667	Four (4) Screws for Esteam Outer Case Halves
15	0663	Complete Steam Cap with Face Plate

ACCESSORIES

0619	Voltage Converter for Travel
0898	Liquid Cleaner - 3 Ten (10) Ounce Bottles per Package*

*Not Available for Export.

www.southstarsupply.com

**ESTEAM Steam Caps with Face Plates and Case Halves are Available in Black or Pink.
Please specify color when ordering.
If you don't see the part you need, please contact us.**