

**SINGER**  
**47W70**

Form 2565w  
(Rev. 1055)  
Printed in U. S. A.

# SINGER\*

## 47w70

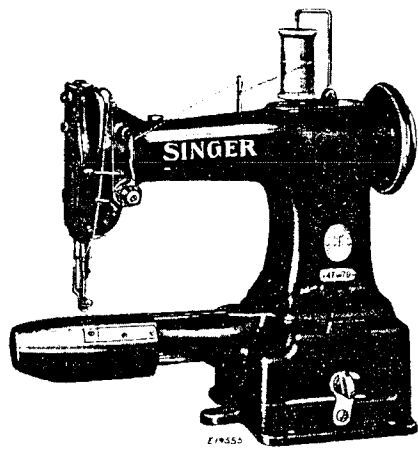
Property of  
THE SINGER COMPANY  
Industrial Products Division  
Marketing Services (Advertising)  
561 Broadway, N. Y. C. 10012

---

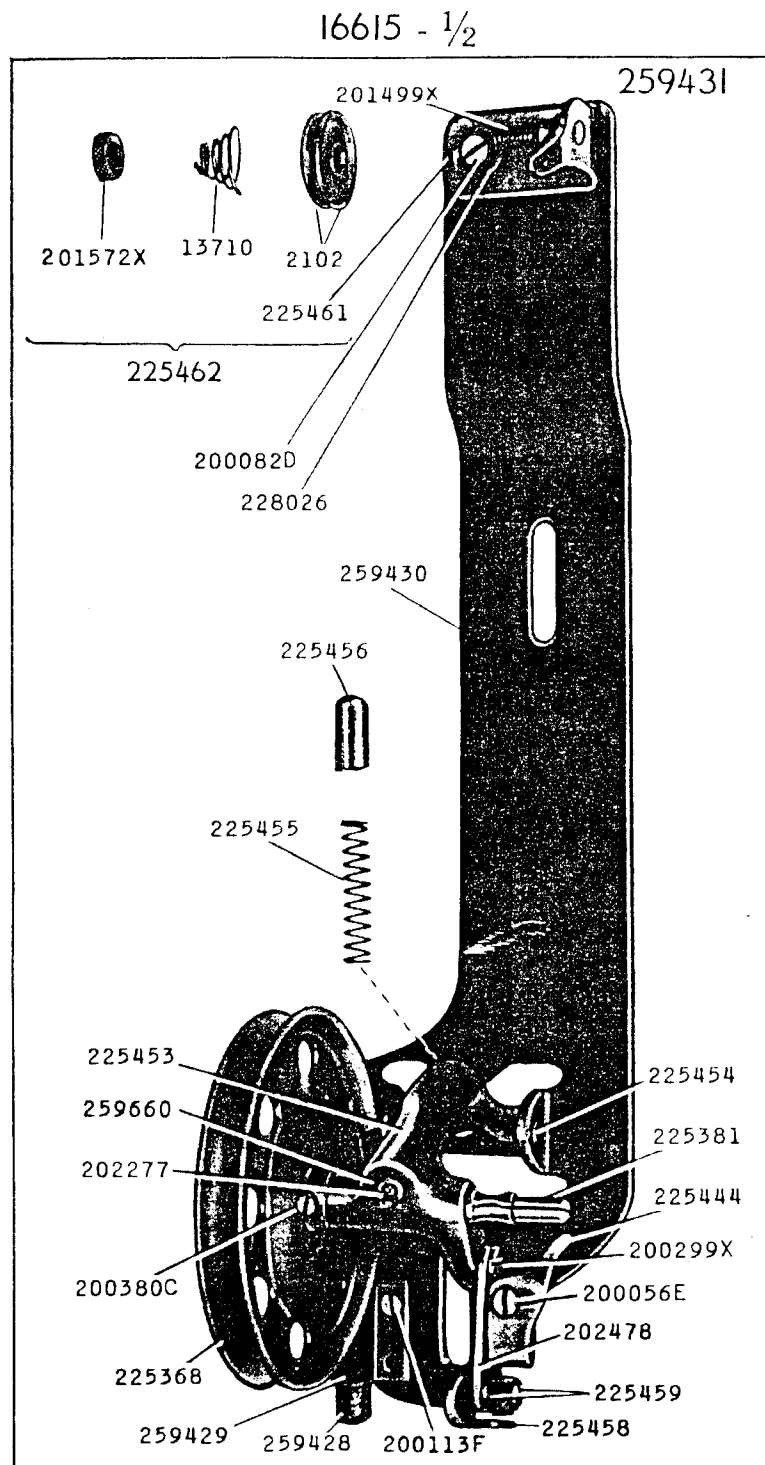
THE SINGER COMPANY

\*\*\*A Trade Mark of THE SINGER COMPANY

From the library of: Superior Sewing Machine & Supply LLC

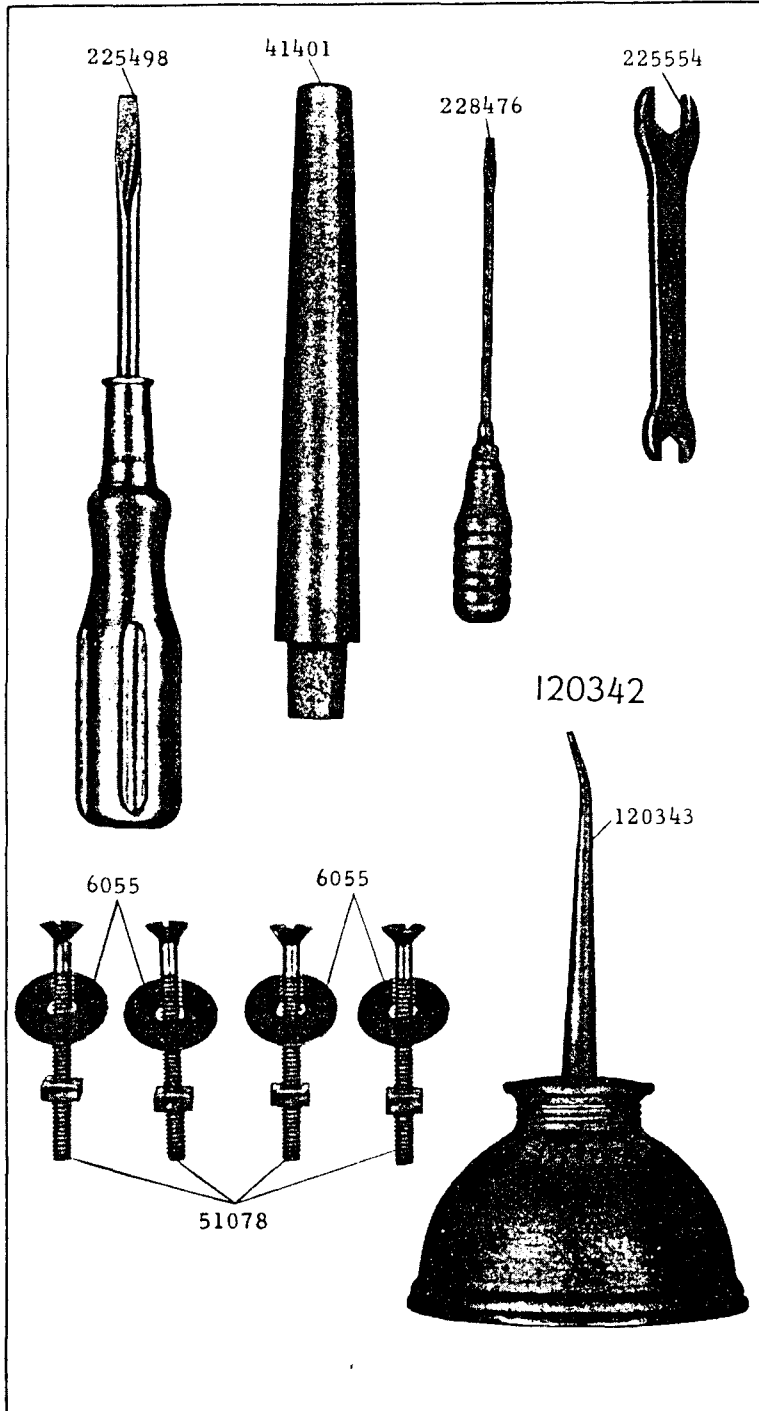


Copyright © 1956 by The Singer Company

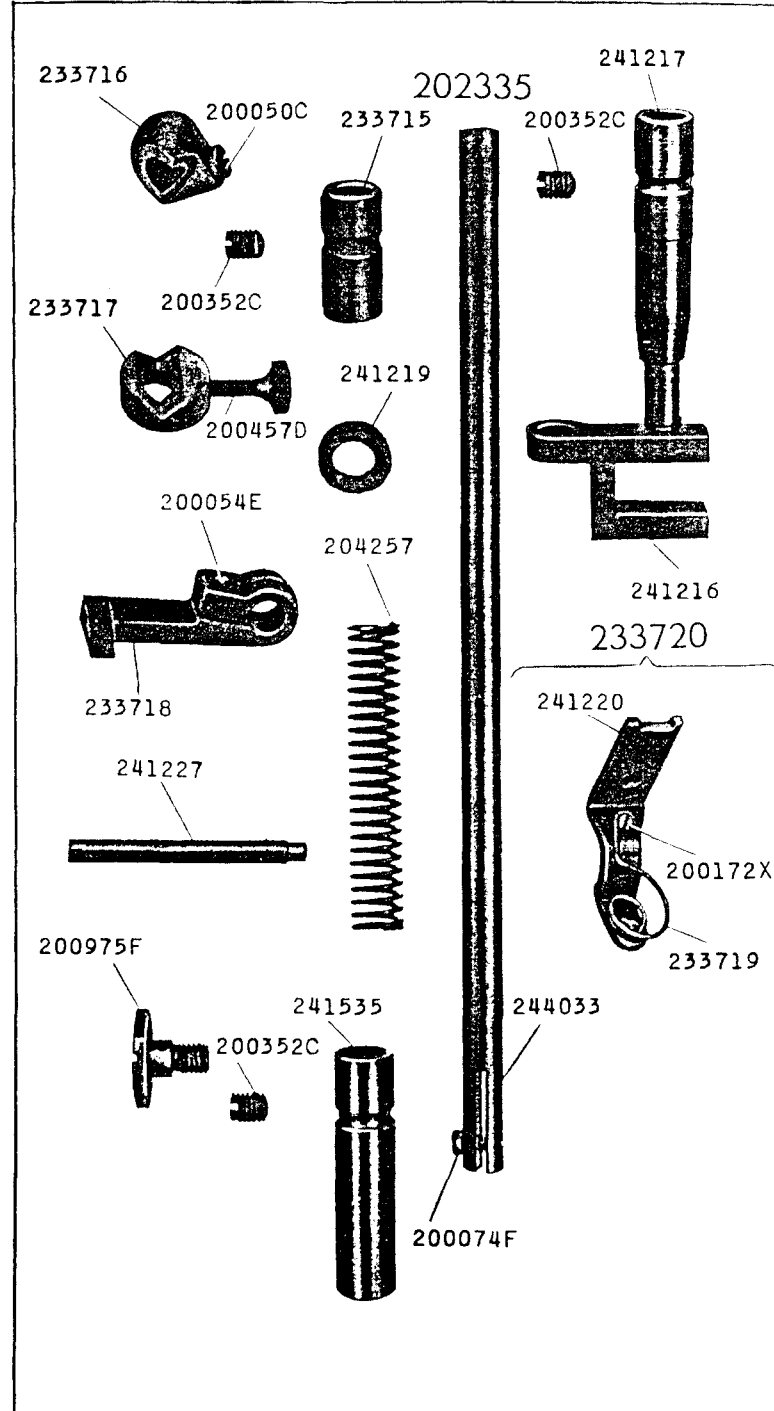


From the library of: Superior Sewing Machine & Supply LLC

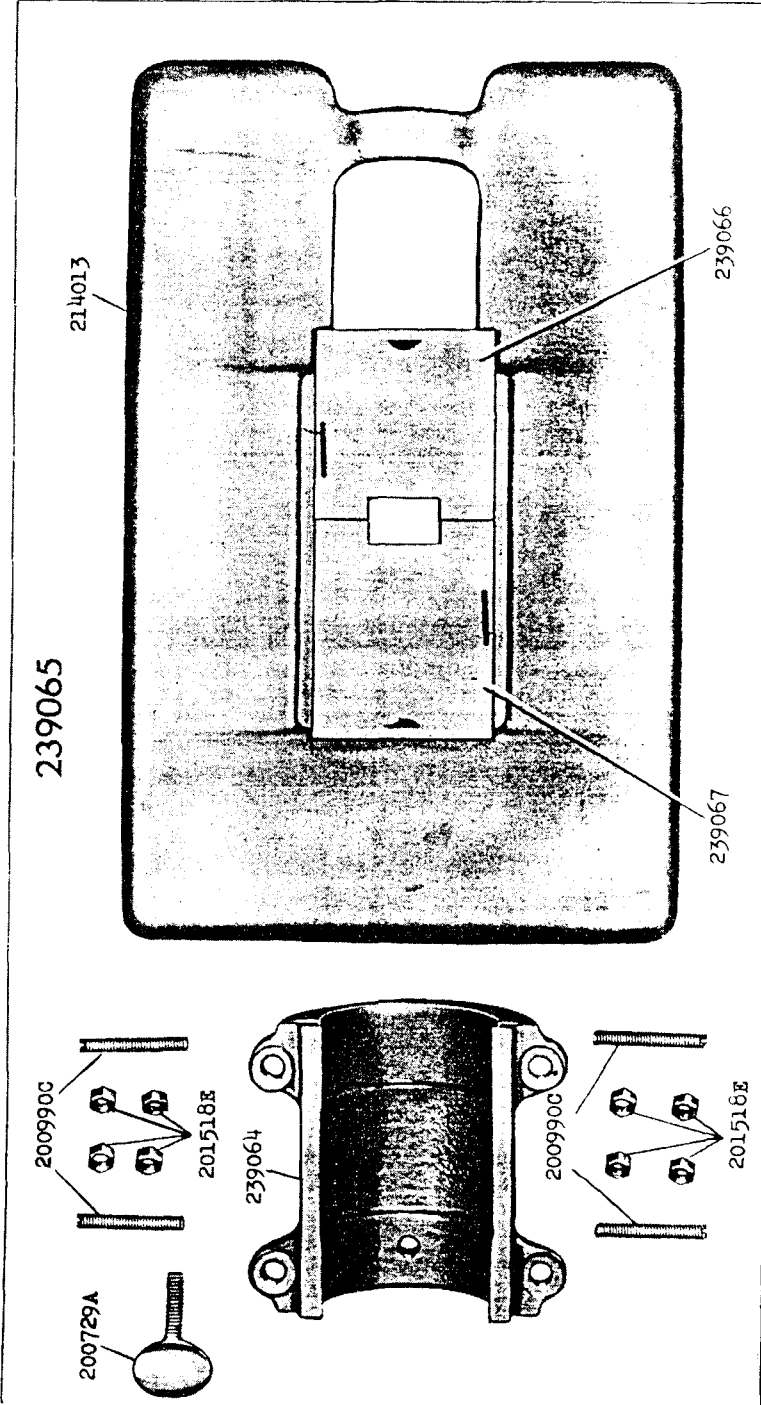
16783 - 1/2



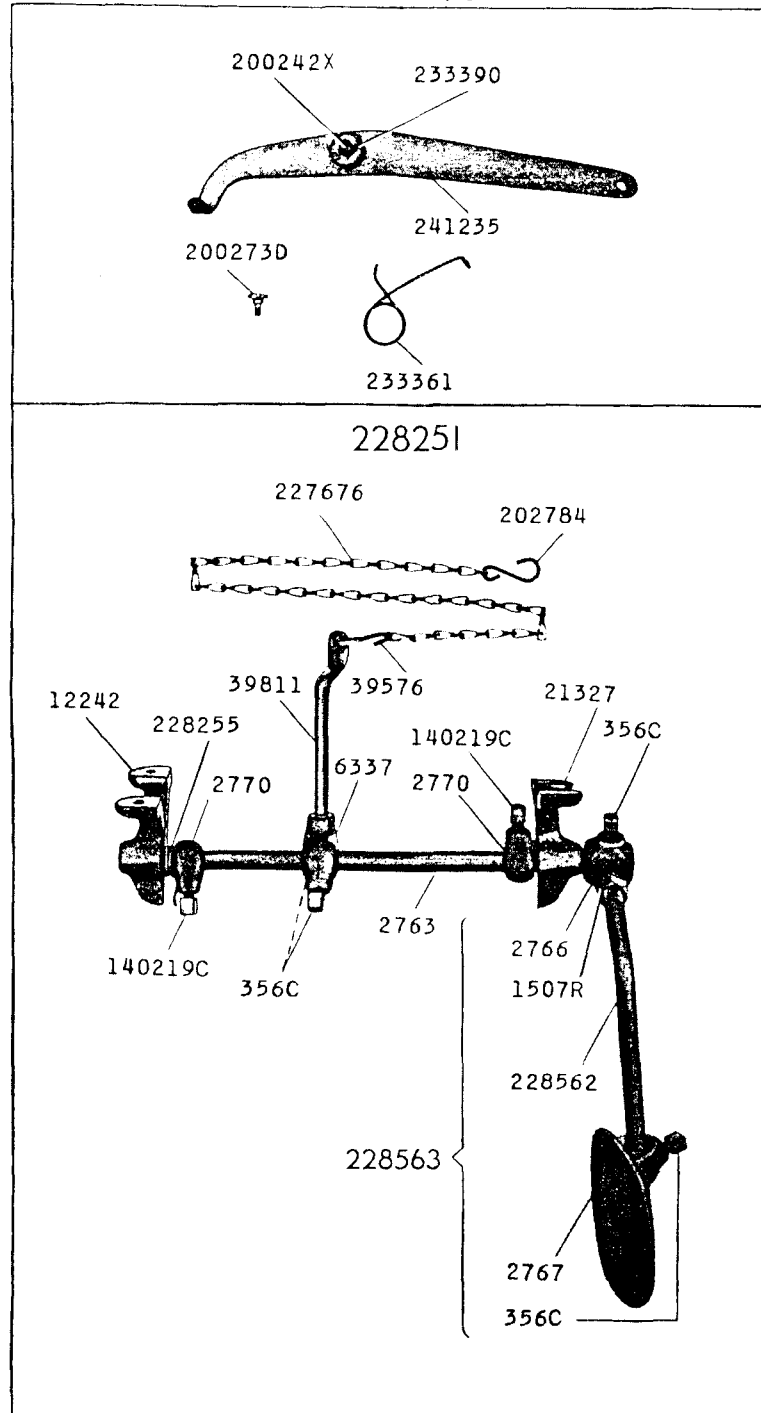
17026 5/8

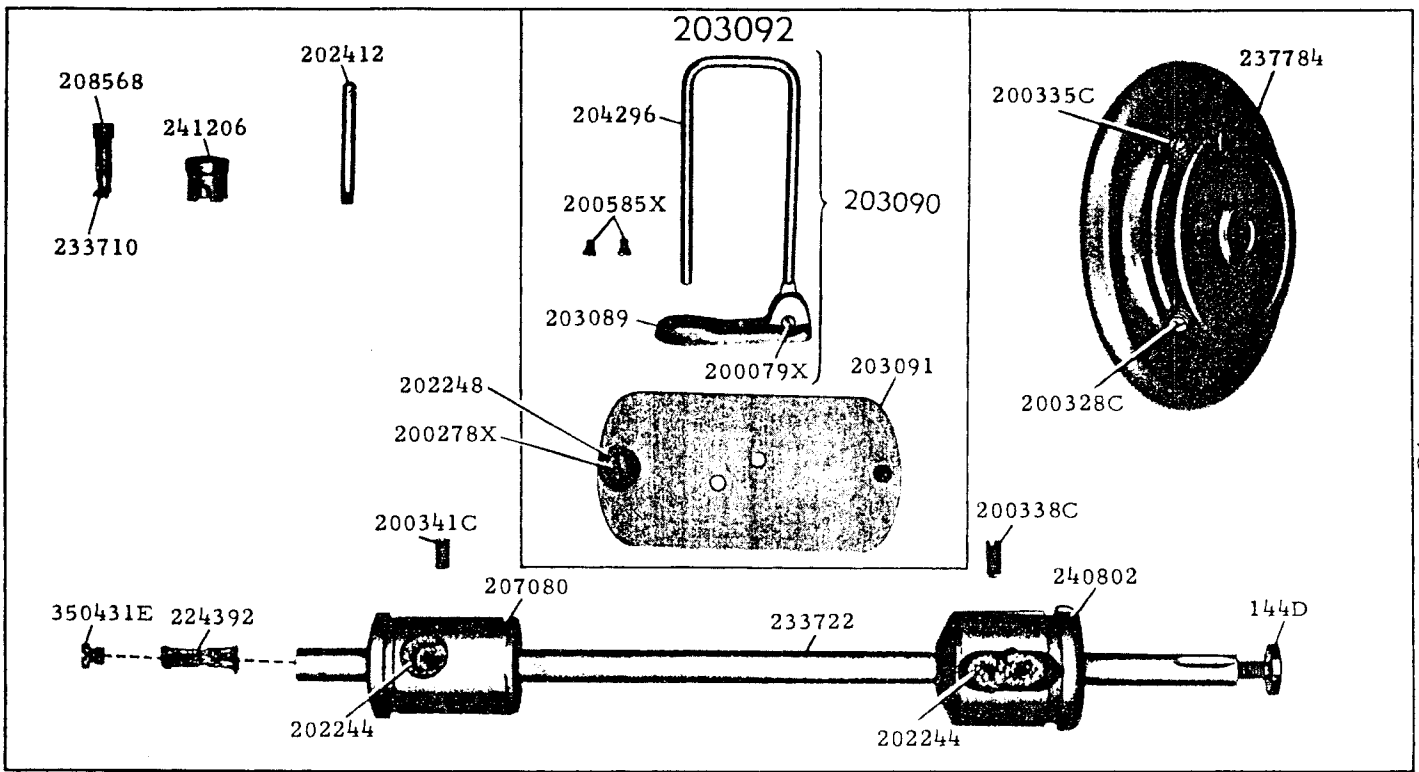


17028 - 3/8

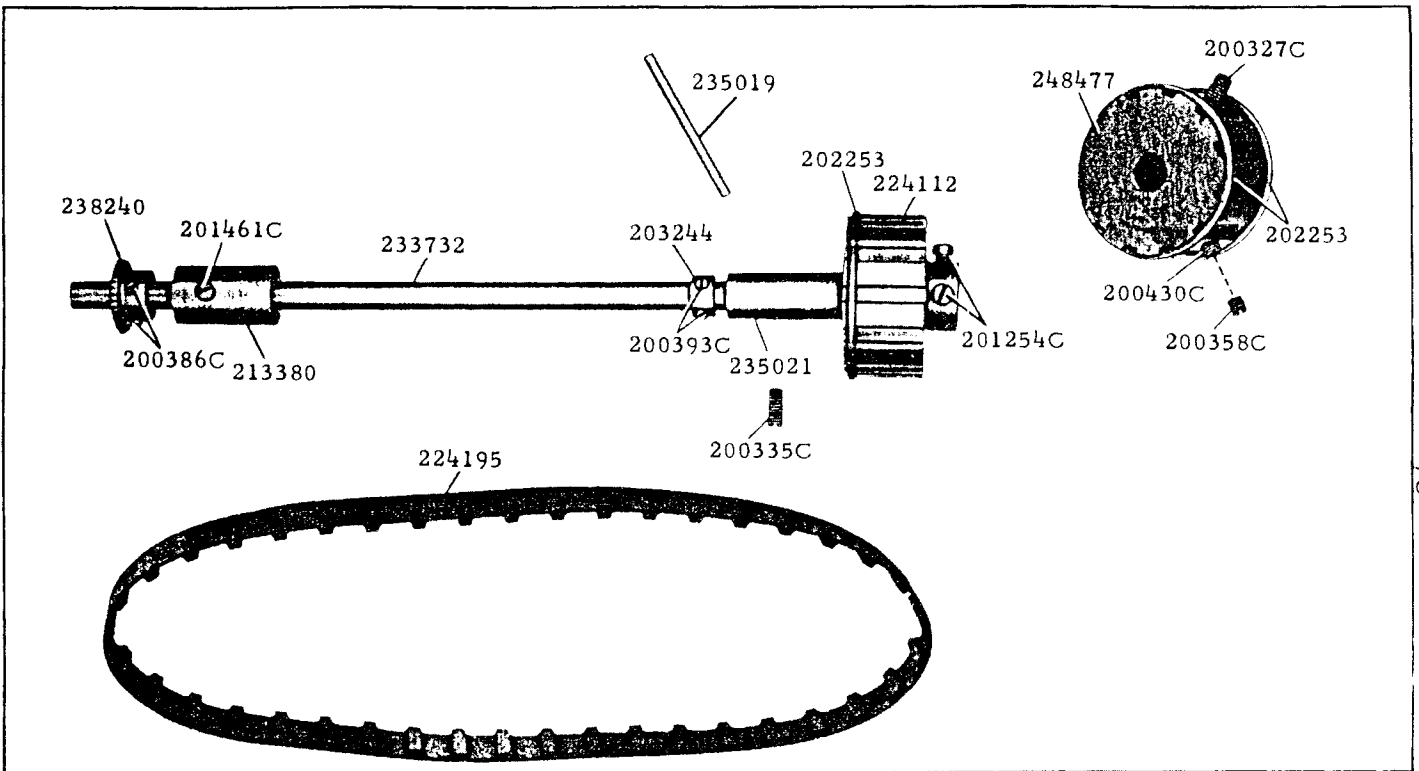


17029 1/4

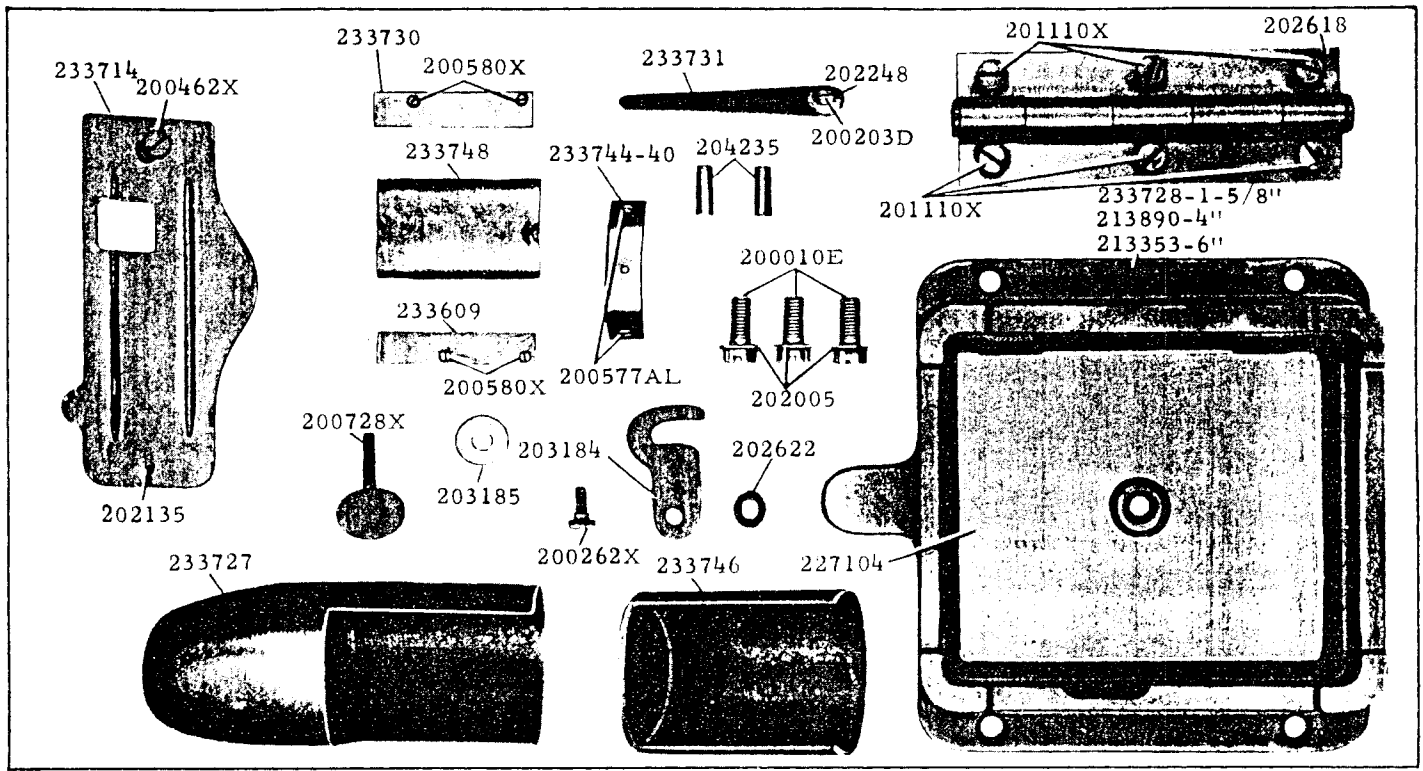




17069 - 3/8

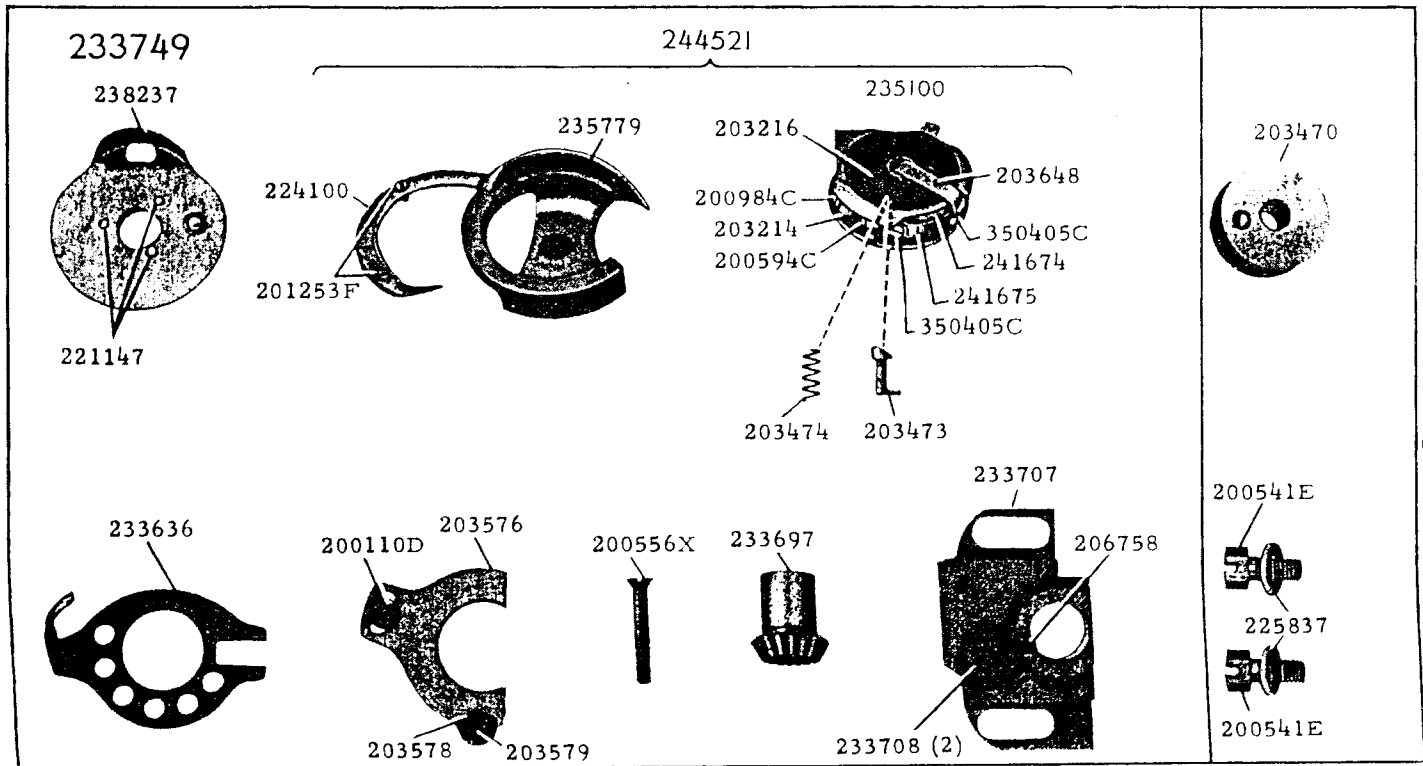


17070 - 3/8



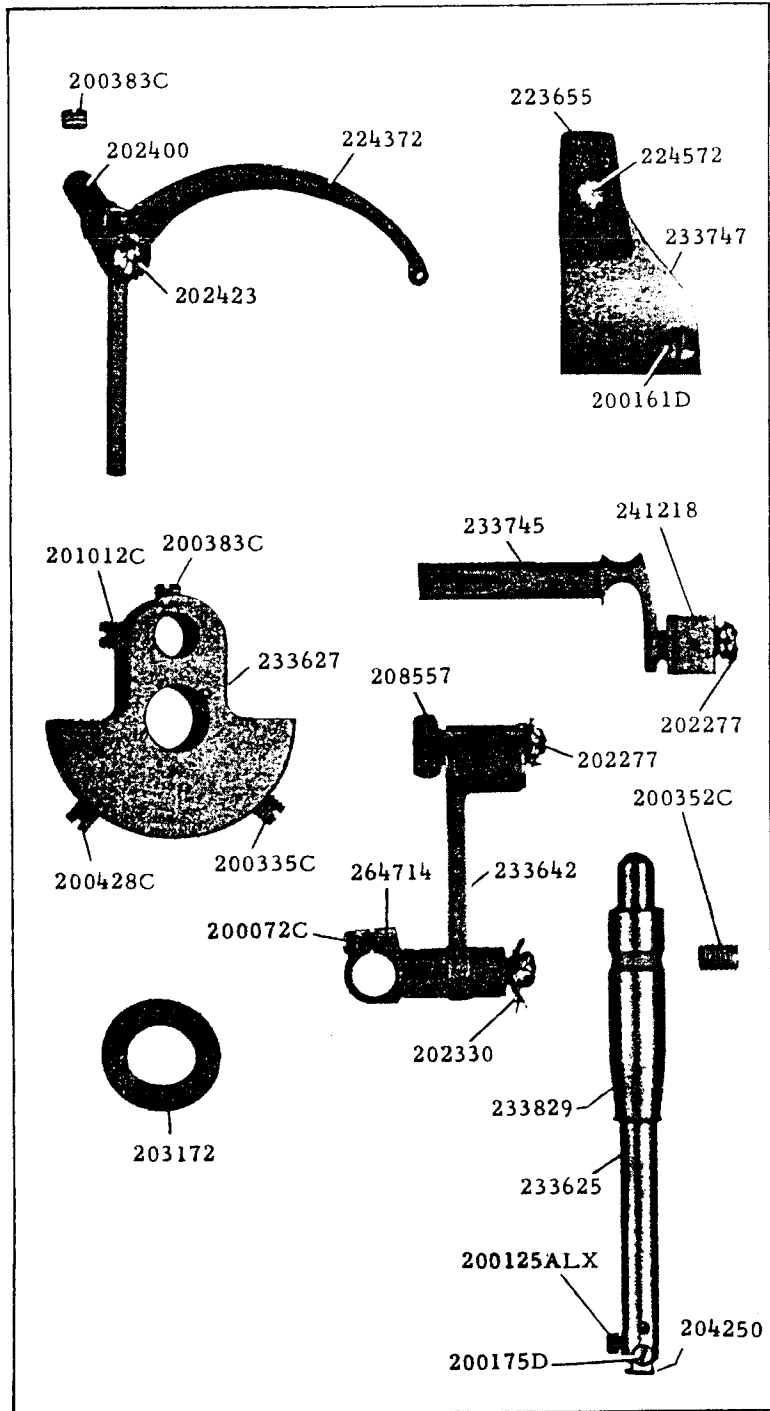
17071 - 1/3

*attn: Bob*



17072 - 2/3

17073 - 5/8



17074 - 3/4

