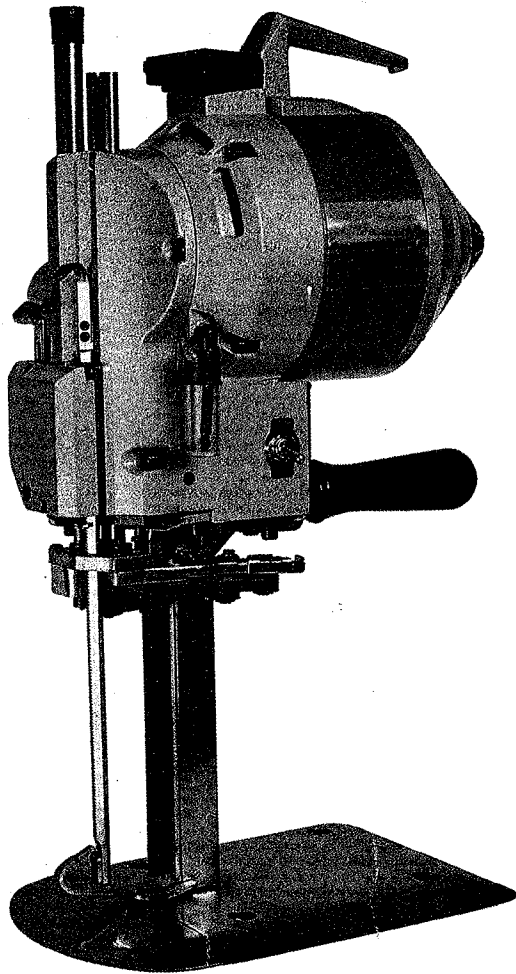
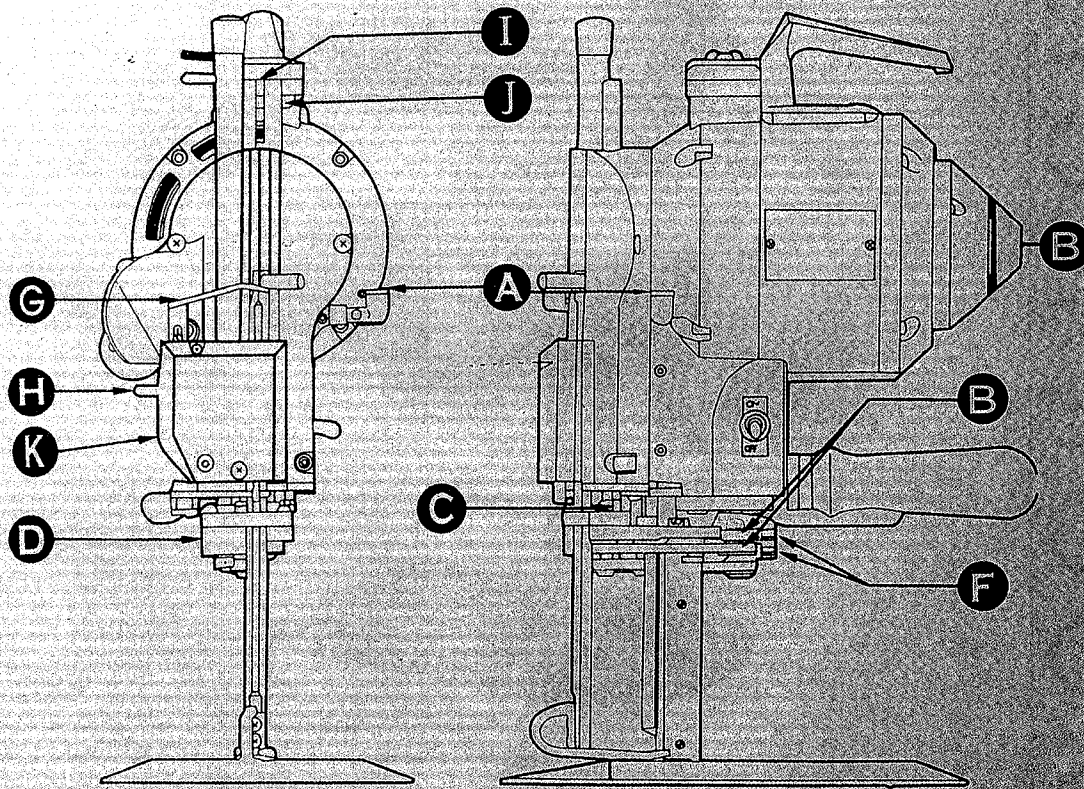


INSTRUCTION BOOK AND PARTS LIST



INSTRUCTION BOOK

OPERATION-LUBRICATION-CARE



START ON

1. Fill oil cup A, be sure oil goes into smooth, if not , remove obstruction.
2. Pushin E and turn the machine by hand for a few revolutions to make sure the oil is spread over contact surfaces.
3. The sharpener must be always up in locked position when starting.

BE CAREFUL

- a. Keep the machine in warm place in cold weather.
- b. Repeat short on & off before permitting the machine to run continuously for preventing excessive friction between contact surfaces.
- c. Do not use too much oil. Do not use sewing machine oil. Use a least good grade of No .30 motor oil.
- d. In case your cutter is of DUAL SPEED TYPE, please take care of the following two points:
 - (1) Be sure to select the switch to the upper high speed (HI) in starting, and then, when full revolution has been attained, to the lower speed (LO)
The switch is put off by selecting the intermediate OFF
 - (2) The continuous operation at low speed (LO) should be no more than 30 minutes. DO NOT OPERATE FOR MORE THAN 30 MINUTES.

LUBRICATION

EVERY 2 HOURS	WEEK	ONCE A MONTH
1. Fill oil tank A (no need to oil at connecting rod bearing)	One drop oil to: 1. Tubes-1 & J 2. Turn knob-E 3. Pulley Shaft-C 4. Belt Pulleys-B	Remove Dplug and insert grease tube. Give a pea- size amount to the opening

SHAPENER OPERATION

1. Put the machine away from piles of material.
2. Drop pressure foot by lever located next to operating handle
3. Press lever G downward firm but not too quick.

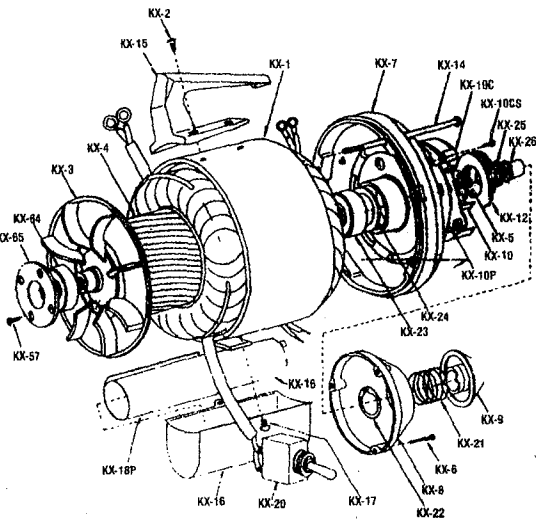
BE CAREFUL

- a. Do not operate sharpener without knife in machine.
- b. Do not operate sharpener with cutting material laid in machine.
- c. Do not shut off motor while sharpener is in motion.
- D. If lever G is locked in halfway by too quick operation, lift lever H to unlock and start again.

CARE

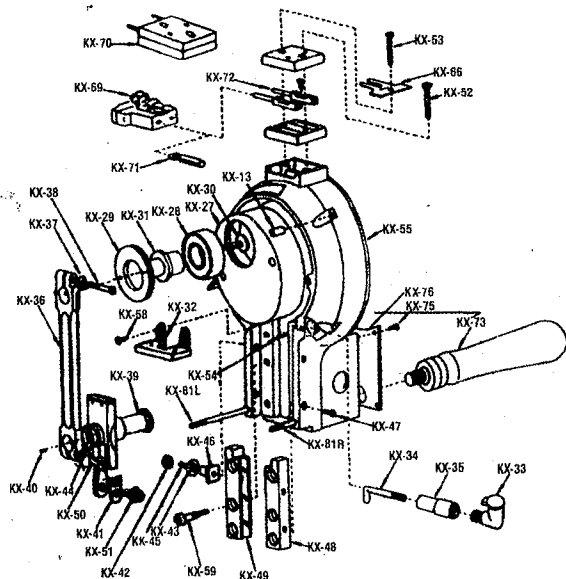
1. Blow lint out of motor and sharpener by blower or something alike twice a week.
2. Lint around screw mechanism of sharpener inside cover K must be cleaned once a week.
3. Clean the knife slide by slot cleaner once a day.
4. Remove lint from rollers in base plate. To prevent undue accumulation of lint, do not oil plate rollers. If rollers stick, remove from plate and wash in cleaning solvent.

MOTR & HOUSING MECHANISM



KX-1	Capacitor-Stator
KX-2	Carrying Handle Screws
KX-3	Rotor Fan
KX-4	Rotor with Shaft
KX-5	Cut-Out Switch to Bearing Screw
KX-6	Dust Cap Screw
KX-7	Rear Bearing Housing
KX-8	Dust cap
KX-9	Turning Knob
KX-10	Cut-Out Switch
KX-10P	Insulated Plate
KX-10C	Insulated Cover
KX-10CS	Set Screw for Insulated Cover
KX-12	Automatic Cut-Out
KX-14	Front to Rear Bearing Screw
KX-15	Carrying Handle
KX-16	Capacitor Cover
KX-17	Screw for Capacitor Cover
KX-18	Capacitor
KX-18P	Paper
KX-20	Switch
KX-21	Clutch Spring
KX-22	Retaining Ring
KX-23	Rear Ball Bearing
KX-24	Rear Ball Bearing Spring Washer
KX-25	Clutch Nut
KX-26	Shaft Lock Nut
KX-57	Front Ball Bearing Retainer Screw
KX-64	Front Ball Bearing
KX-65	Front Ball Bearing Retainer

FRONT COVER MECHANISM



KX-13	Front to Rear Bearing Nut
KX-27	Crank
KX-28	Crank Ball Bearing
KX-29	Crank Ball Bearing Lock Nut
KX-30	Screw for Brg Shaft
KX-31	Shaft for Ball Bearing
KX-32	Oil Pad Holder
KX-33	Oil Cup
KX-34	Oil Tube for Wrist Pin (Copper)
KX-35	Oil Tube for Wrist Pin
KX-36	Connecting Rod
KX-37	Shakeproof Washer
KX-38	Connecting Rod Clamp Screw
KX-39	Wrist Pin
KX-40	Wrist Pin Plug
KX-41	Knife Lock Washer
KX-42	Nuts for Guide Screw
KX-43	Guide Washer
KX-44	Connecting Rod washer
KX-45	Guide Adjusting Screw
KX-46	Guide Adjusting Nut
KX-47	Guide Lock Screw
KX-48	R. H. Guide
KX-49	L. H. Guide
KX-50	Cross Hsad
KX-51	Knife Lock Bolt
KX-52	Terminal Block Screw
KX-53	Ground Clip Screw
KX-54	Set Screw
KX-55	Front Bearing Housing
KX-58	Oil Pad Holder Screw
KX-59	Guide Hold Down Screw
KX-61L	Stud Lower L. H. Montaing(L)
KX-61R	Stud Lower L. H. Montaing(R)
KX-66	Ground Clip
KX-69	Attachment Plug(Complete)
KX-70	Tetminal Block (Complete)
KX-71	Terminal Sleeve
KX-72	Terminal Contact With Pin.
KX-73	Operating Handle
KX-75	Switch Cover Screw
KX-76	Switch Cover

